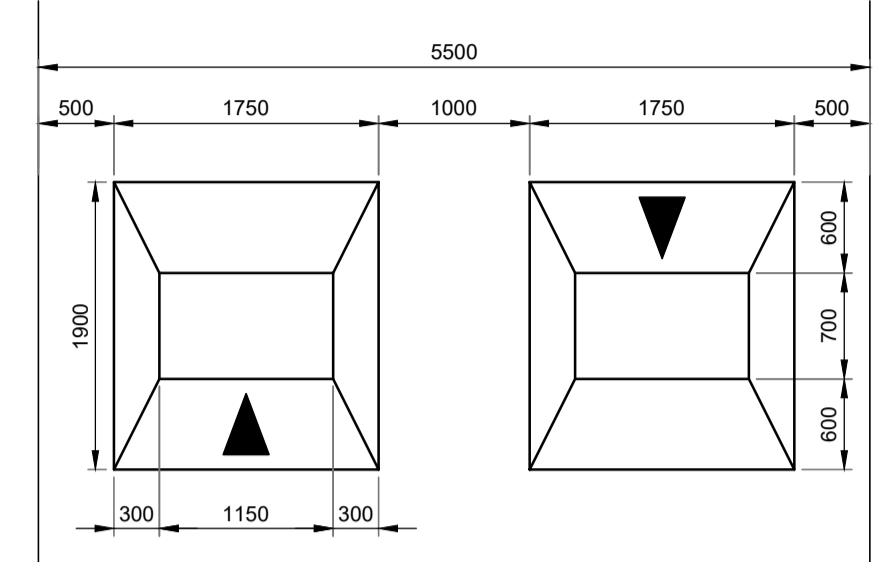


Section through Speed Cushion
(Scale 1:50)



Plan on Speed Cushion
(Scale 1:50)

- NOTES:
- DO NOT SCALE FROM THIS DRAWING
 - THE CONTRACTOR SHALL BE RESPONSIBLE FOR CHECKING AND VERIFICATION OF ALL DIMENSIONS ON SITE PRIOR TO COMMENCEMENT
 - THE CONTRACTOR SHALL CONFIRM AND BRING TO THE ATTENTION OF THE ENGINEER ANY DISCREPANCIES CONTAINED IN THIS DRAWING PRIOR TO COMMENCEMENT.

Rev	Description	Drwn	Chkd	Date
F	House numbers/traffic calming note added	KI	SC	13/04/2021
E	Revised in accordance with latest layout	KI	SC	05/03/2021
D	Updated to suit RCC comments.	CM	CM	08/09/2020
C	Updated to suit RCC comments.	CM	CM	04/08/2020
B	Updated to suit RCC comments.	FM	SA	01/06/2020
A	Updated to suit RCC comments.	FM	JM	09/04/2020

Indev Consult Ltd - Duart House - Strathclyde Business Park
3 Finch Way - Bellshill - ML4 3PH - tel 01698 744 610
email info@indevconsult.com

220 West George Street Glasgow G2 2PG
Tel. 0141-285-6700, Fax. 0141-285-6767
e-mail: homes@dwain-group.co.uk

Project Title:
GLENMAVIS

Drawing Title:
OFF SITE TRAFFIC CALMING

Drawn By: FM Checked By: JM Issue Status: APPROVAL

Date Drawn: 17/12/2019 Scales: 1:500 @ A1

Drawing Number: 18-094-17 Revision: F